

caroma[®]

CI/SfB	(74.8)	n6
Date	July 2011	

Supersedes all previous issues

Caspian

Steel Bath

Nominal Sizes: 1675mm x 770mm x 410mm

9.18.1



Caspian

Steel Bath

Nominal Sizes:
1675mm x 770mm x 410mm



A classically designed porcelain enamel on steel bath featuring integral arm rests, a deep flat base and extra width with long lasting and environmentally friendly physical attributes. The non-porous surface is resistant to scratching, household chemicals and will not absorb dirt, stains or germs.

The **Caspian** bath is available in one size:
1675mm long x 770mm wide x 410mm deep – standard Code No.857530.
Overflow option available.

Durability: The shell is a seamless rigid steel pressing, a strong durable material that won't flex or bend so the shape is permanent with a non-porous, glass hard porcelain enamel finish which provides a hygienic, scratch and stain resistant surface.

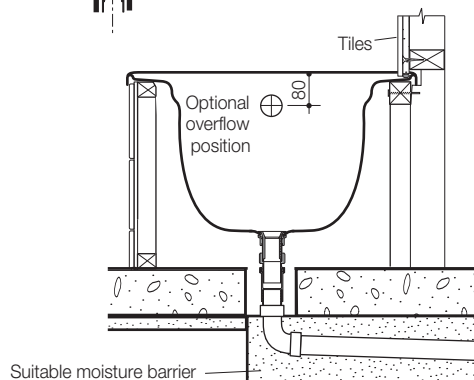
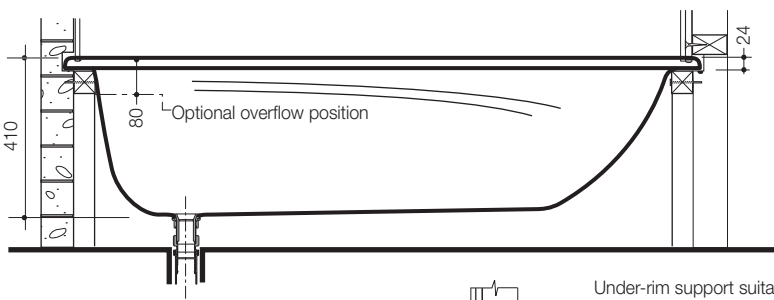
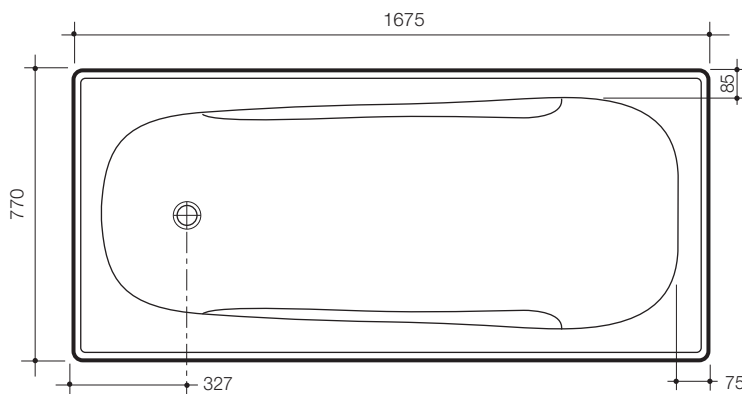
Waste Outlet: Waste outlet is suitable for 40mm diameter standard waste assembly.

Bath Capacity: 1675 x 770 – 225 litres to rim, with overflow 153 litres.

Installation: The bath is suitable for built-in installations. The bath is self-supported around its rim. The support system may be timber, metal or brick. Not suitable for island installations. Refer Sheet 9.01.1 for further installation information.

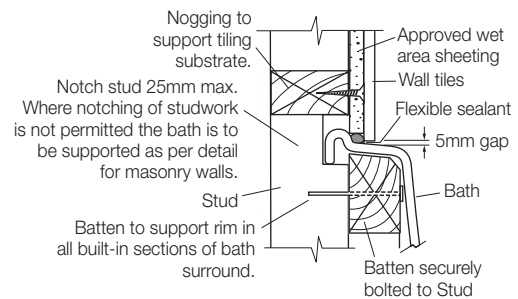
Colour: White only.

Dimensions: All dimensions are in millimetres and are subject to normal manufacturing variations. Caroma pursues a policy of continuing improvement in design and performance of its products. The right is therefore reserved to vary specifications without notice.

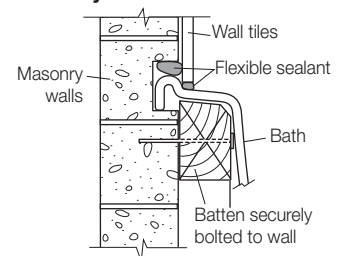


Under-rim support suitable for built-in installations. The Caspian bath is not suitable for island installations

Built-in Wall Installation



Masonry Wall Installation



Timber Support Installation

