

caroma®

Opal II Connector

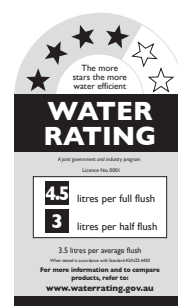
Vitreous China 4.5/3 litre Dual Flush
Connector Toilet Suite



CI/SfB	(74.1)	g3	
Date	November 2009		

Supersedes all previous issues

3.38.1



Opal II Connector

Vitreous China 4.5/3 litre Dual Flush Cistern, Matched Pan, with Seat and Connector Plate



Shown with Trident pan.

A new generation in water-saving technology sanitaryware product, the **Opal II Connector** matched suite uses Caroma Smartflush technology to deliver a 4.5/3 litre dual flush vitreous china toilet suite system. Combined with the Trident, Concorde Concealed or Retro 4.5 litre SmartFlush pan, the Opal II connector cistern is an integrated system comprising of cistern with high performance outlet valve, seat and plastic connector plate, which conceals the flush pipe and water connection. For an update on Smartflush refer to www.caroma.com.au

Pans: Trident, Concorde Concealed or Retro Smartflush 4.5 litre full flush washdown pan with open flushing rim.

Traps: S or P-trap unvented only.

Inlet: 50mm back inlet 40mm key seal is available if required.

Cisterns: **Opal II Connector Smartflush Cistern** (wall fix version) – has a free fitting lid and is suitable for domestic and light commercial applications.

Vandal Resistant Conversion Kit – A simple to install conversion is available for the standard mechanism to lock lid onto the cistern, recommended for use in heavy use commercial areas. Code No.750109.

Inlet Valve Overflow: **Standard Bottom Entry Cistern** – available as right hand inlet which is interchangeable and incorporates Quietflow inlet valve. Internal overflow only.

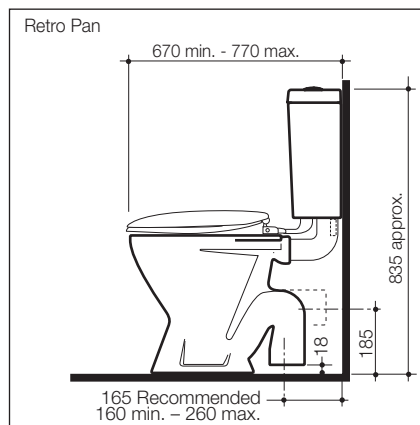
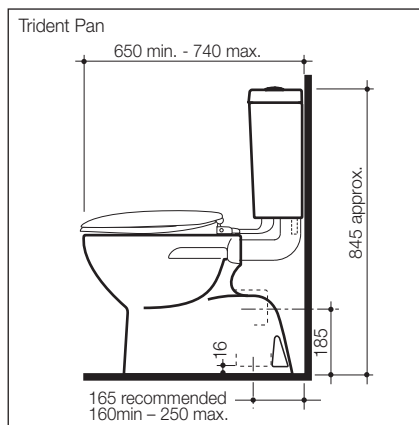
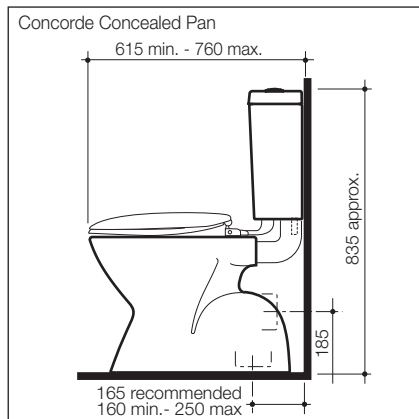
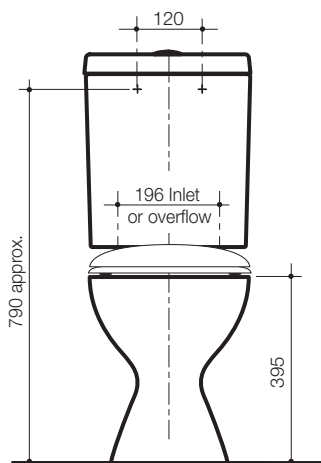
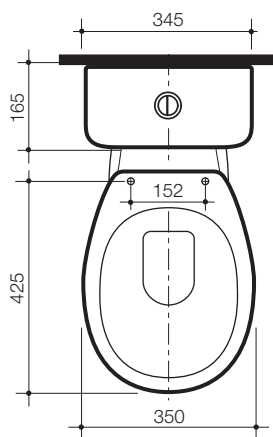
Important: Working pressure minimum 30kPa to maximum 1000kPa flow pressure. Rain water tank compliant.

Seat and Connector Plate: The **Caravelle** toilet seat and coupling kit is provided as standard with the Opal II Connector suite.

Colours: White only.

Installation: The installation of the toilet suite shall be in accordance with the normal minimum drainline grade requirements in AS/NZS 3500.2.

Dimensions: All dimensions are in millimetres and are subject to normal manufacturing variations. Caroma pursues a policy of continuing improvement in design and performance of its products. The right is therefore reserved to vary specifications without notice.



Opal II Connector

Smartflush Suites:

		Code No.
Internal Overflow		
Trident Opal II S trap	RH inlet	921125
Trident Opal II P trap	RH inlet	921135
Concorde Opal II S trap	RH inlet	921140
Concorde Opal II P trap	RH inlet	921145
Retro Opal II S trap	RH inlet	921150
Retro Opal II P trap	RH inlet	921155

Note: All height dimensions to underside of pan, make allowance for bedding.

Bedding: The pan should be fixed to the floor with a sand cement mixture of 3:1 to a depth of 60mm. Do not use lime or fast drying cement in the bedding mixture. When bedded the back of the foot of the pan should be approximately 10mm above the finished floor.

Screw fixing: The pan should be bedded with an acetic cured silicone sealant and fixed with corrosion resistant screws and pan guard washers. Use Caroma screw fixing kit. Code No.601150.