

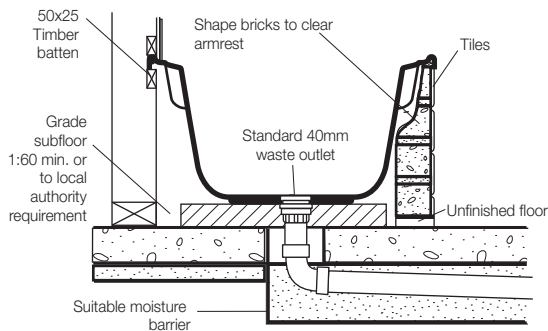
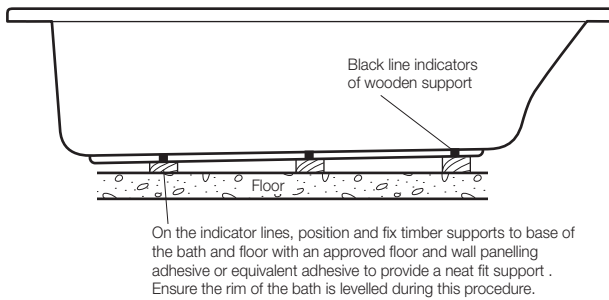
## 9.20.1

### Acrylic Bath Installation

- Grade bath subfloor to local Authorities requirements.
- Built-in Installations:** Recess 50x25 support battens the full length of bath in wall (see detail).  
**Island Installations:** Baths are suitable for island installations (see detail).
- Remove protective film from tiling bead and waste before installation, and remove the remaining film on completion.
- Bath Support:** The design and rigidity of the Serenity, Medina, Royale and Verona baths allows for installation without a mortar bed. The base of the baths is simply supported with three timber supports as detailed.
- Ensure under bath area is ventilated to the requirements of local authorities.
- Leave "Cleaning and Maintenance Instructions" label in a position for the householder to read.

**Note: All materials to appropriate Australian Standards.**

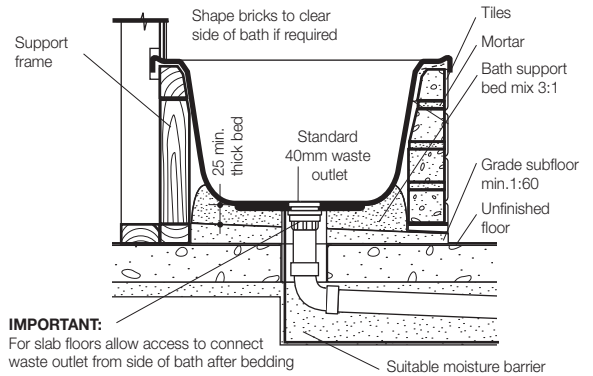
#### Acrylic Bath Support Details



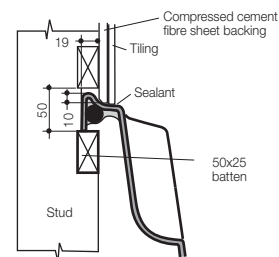
**IMPORTANT: Local Authorities have varying installation requirements, check with Authority or your Caroma representative for further details.**

**IMPORTANT NOTICE FOR INSTALLATIONS:**  
Compliance with AS.3740 Waterproofing of wet areas within residential buildings applies when installing baths.

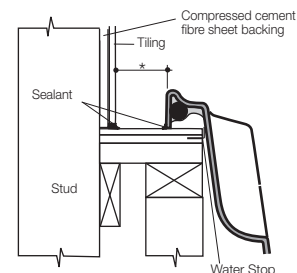
#### Mortar Bed Detail



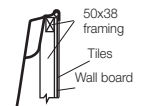
#### Built-in Installation



#### Island Installation



#### Timber Support Alternative



\* **IMPORTANT: Refer to Local Authority for minimum setout from wall**