

caroma®

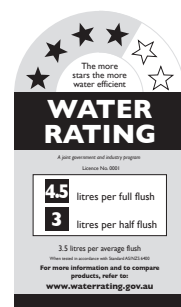
Profile 4 Easy Height Connector

Vitreous China 4.5/3 litre Dual Flush Connector Toilet Suite

CI/SfB	(74.1)	g3
Date	November 2009	

Supersedes all previous issues

3.28.6



Profile 4 Easy Height Connector

Vitreous China 4.5/3 litre Dual Flush Cistern,
Matched Pan, Plastic Seat and Connector Plate



The **Profile 4 Easy Height Connector** suite is ideal for aged care applications where a raised seat height offers the advantage of easier use for persons with restricted movement. The **Profile 4 Easy Height Connector** matched suite uses Caroma Smartflush technology to deliver a 4.5/3 litre dual flush system. Combined with the Cosmo 4.5 litre SmartFlush pan, the Profile cistern is an integrated system comprising of cistern with high performance outlet valve, seat and plastic connector plate, which conceals the flush pipe and water connection. For an update on Smartflush refer to www.caroma.com.au

Pans: Cosmo Smartflush 4.5 litre full flush washdown pan with open flushing rim.

Traps: S or P-trap unvented only.

Inlet: 50mm back inlet 40mm key seal is available if required.

Cisterns: **Profile Smartflush Cistern** (wall fix version) – has a free fitting lid and is suitable for domestic and light commercial applications.

Vandal Resistant Conversion Kit – A simple to install conversion is available for the standard mechanism to lock lid onto the cistern, recommended for use in heavy use commercial areas. Code No.750109.

Inlet Valve **Standard Bottom Entry Cistern** – available as right hand inlet which is interchangeable and incorporates Quietflow inlet valve. Internal overflow only.

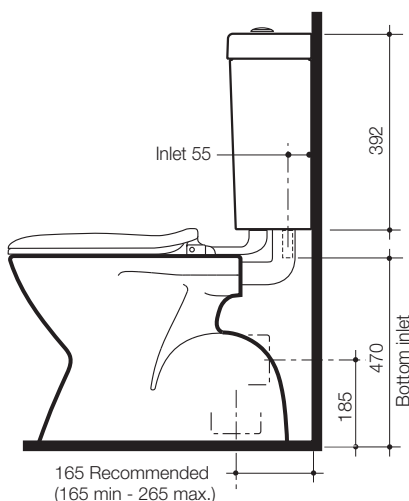
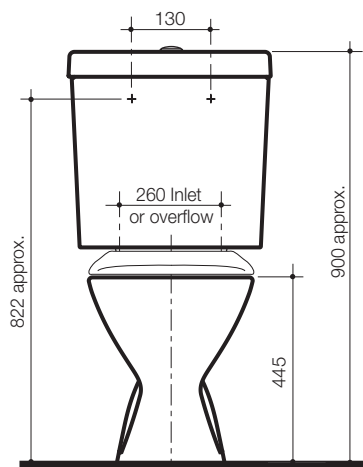
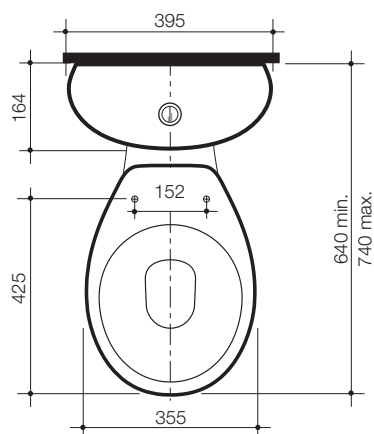
Overflow: **Important: Working pressure minimum 30kPa to maximum 1000kPa flow pressure. Rain water tank compliant.**

Seat and Connector Plate: The **Trident** toilet seat and coupling kit is provided as standard with the Profile Connector suite.

Colours: White only.

Installation: The installation of the toilet suite shall be in accordance with the normal minimum drainline grade requirements in AS/NZS 3500.2.

Dimensions: All dimensions are in millimetres and are subject to normal manufacturing variations. Caroma pursues a policy of continuing improvement in design and performance of its products. The right is therefore reserved to vary specifications without notice.



Profile 4 Easy Height Connector Smartflush Suites:

Internal Overflow	Code No.
S trap	RH inlet 912443
P trap	RH inlet 912453

Note: All height dimensions to underside of pan, make allowance for bedding.

Bedding: The pan should be fixed to the floor with a sand cement mixture of 3:1 to a depth of 60mm. Do not use lime or fast drying cement in the bedding mixture. When bedded the back of the foot of the pan should be approximately 10mm above the finished floor.

Screw fixing: The pan should be bedded with an acetic cured silicone sealant and fixed with corrosion resistant screws and pan guard washers. Use Caroma screw fixing kit. Code No.601150.